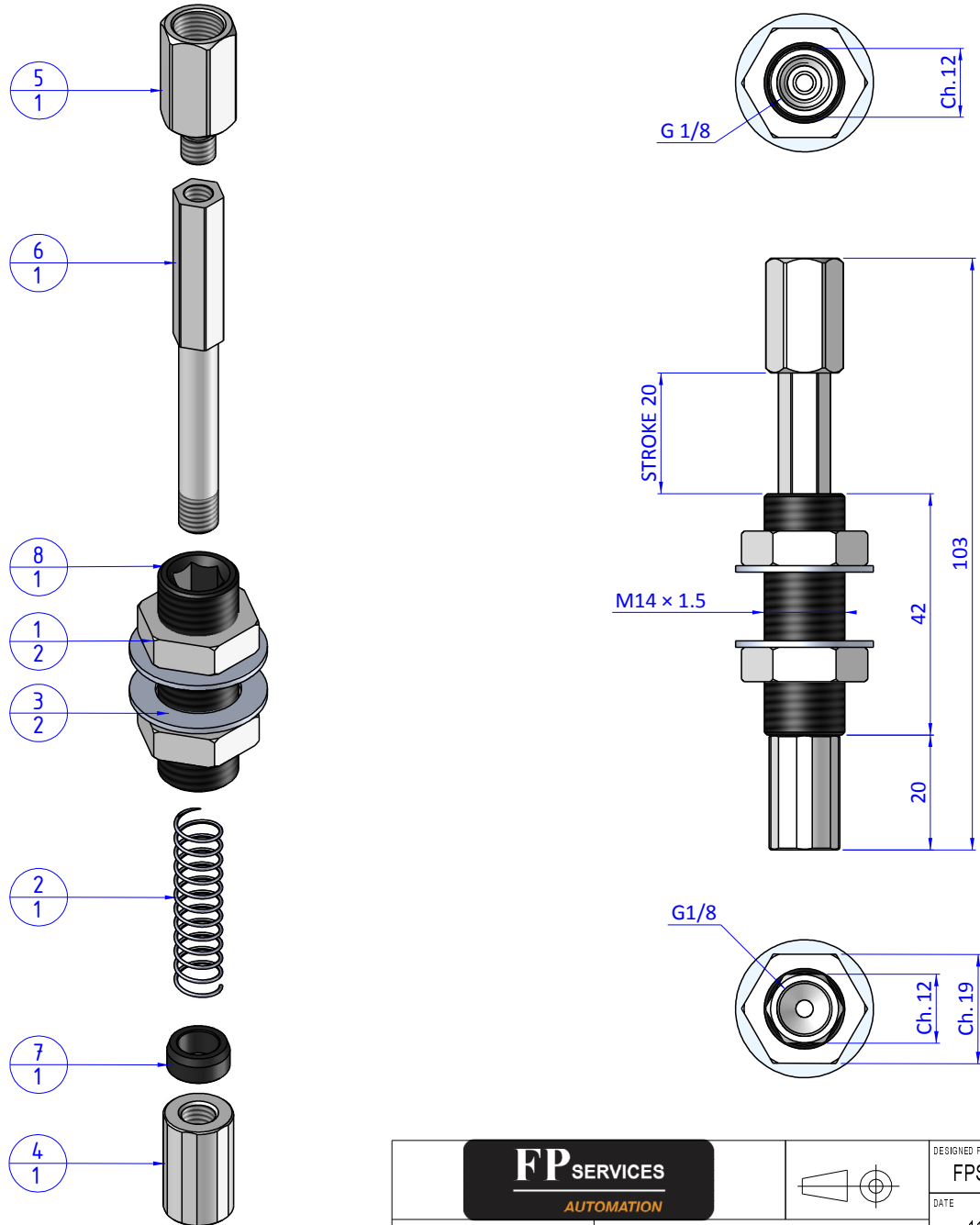


THE PROPERTY OF THE DRAWING IS ESTABLISHED BY LAW. IT IS FORBIDDEN TO PRODUCE OR SHOW IT TO THIRD PARTY, WITHOUT A WRITTEN AGREEMENT.

Object Number	Name	QTY
1	05.01.001.06	2
2	M.8.45X34	1
3	R.14.SCH	2
4	VSN.14.1	1
5	VSN.14.2	1
6	VSN.1420.4	1
7	VSN.1420.3	1
8	VSNG.1420.2.1	1



Format A3

UNI 936-76

		DESIGNED FROM	REVIEW
		FP SERVICES	A
GENERAL TOLERANCE	DESCRIPTION	DATE	WEIGHT
UNI - ISO 2768		11/02/2019	0,036kg
CLASSE f		CODE	CA.SDNG.1420
		CA.SDN.1420	